



MOTORE / ENGINE

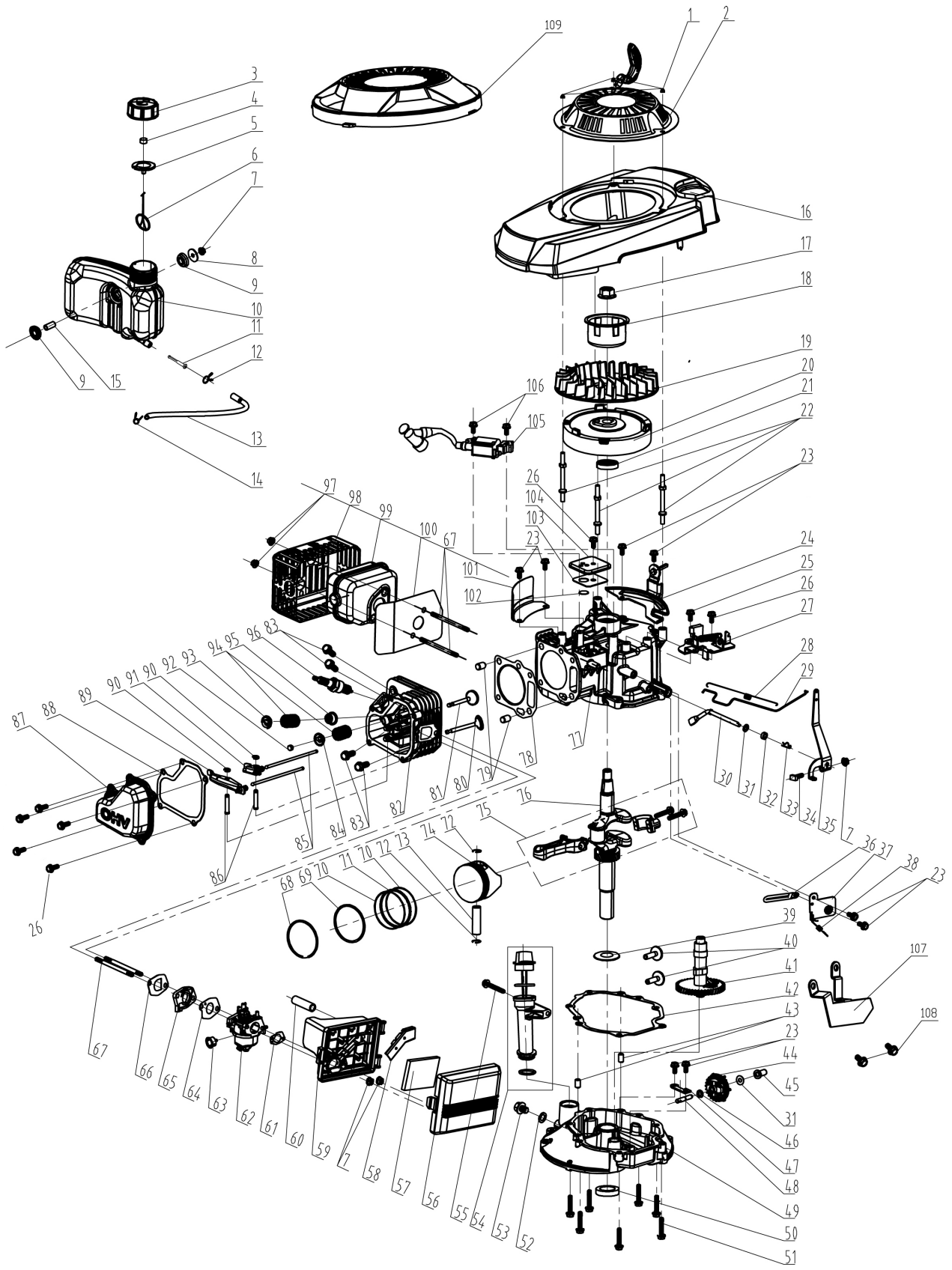
Mod. MVG-T6



ART. 92595

ESPLOSO RICAMBI / SPARE PARTS LIST

Motore



92595**MOTORE / ENGINE****Mod. MVG-T6**

| Nr. | Codice | Descrizione | Description | Q.tà |
|------------|-----------------|-----------------------------------|--------------------------------|-------------|
| 1 | 88564 | Dado Cieco M6 | Cap nut | 3 |
| 2 | RMG65070100000 | Avviamento completo | Pull starter assy. | 1 |
| 3 | RMG25170110000 | Tappo Serbatoio | Fuel tank cap | 1 |
| 4 | RMGP65050106000 | Spugnetta tappo serbatoio | Fuel tank cap sponge | 1 |
| 5 | RMGP65050102000 | Guarnizione tappo | Fuel Tank Cap seal gasket | 1 |
| 6 | 92486 | Ritegno tappo | Connect cable of fuel cap | 1 |
| 7 | Standard | Dado Flangiato M6 | Hex flange nuts | 4 |
| 8 | RMG60190310000 | Rondella supporto Serbatoio | The oil tank mount big washer | 1 |
| 9 | RMG25310030000 | Gommino supporto serbatoio | Fuel Tank Cap seal gasket | 2 |
| 10 | RMG25180230000 | Serbatoio Benzina | Fuel tank body | 1 |
| 11 | RMGP65050500000 | Filtro serbatoio | Filtering Net Duct of Fuel | 1 |
| 12 | RMGP65050600000 | Fascetta Tubo benzina | Fuel pipe lock clamp I | 1 |
| 13 | RMGP70B05050000 | Tubo Serbatoio Benzina | Fuel pipe | 1 |
| 14 | 92489 | Fascetta Stringitubo | Fuel pipe lock clamp II | 1 |
| 15 | RMG60240250000 | Boccola / Distanziale | Fuel tank mounting bushing | 1 |
| 16 | RMG25190250000 | Plastica Coprimotore II | The transparent cover | 1 |
| 17 | RMG60140050000 | Dado Volano M14X1,5 | Hex flange nuts | 1 |
| 18 | RMGP65070200000 | Campana Avviamento | Starter hub | 1 |
| 19 | RMG25040110000 | Ventola | Fan | 1 |
| 20 | RMG75390240000 | Volano | Flywheel assy | 1 |
| 21 | RMGP65010109000 | Paraolio 22X35X7 | Oil seal | 1 |
| 22 | RMG60080230000 | Bullone supporto carter | Dual-head bolts | 3 |
| 23 | 88621 | Bullone M6X12 | Bolt | 8 |
| 24 | RMG75330070000 | Piastra supporto serbatoio | Main bracket of fuel tank | 1 |
| 25 | Standard | Bullone M6X18 | Bolt | 1 |
| 26 | Standard | Bullone M6X14 | Bolt | 7 |
| 27 | RMG75380900000 | Dispositivo Freno Motore | Detent ass'y | 1 |
| 28 | RMGP65010601000 | Molla asta acceleratore | Valve spring | 1 |
| 29 | RMG75160060000 | Asta Acceleratore | Handspike of Valve | 1 |
| 30 | RMGP65010105000 | Leva regolatore giri | Rate-limiting rocker arm shaft | 1 |
| 31 | RMG60200490000 | Guarnizione | Gasket | 2 |
| 32 | RMGP65010112000 | Paraolio 6X11X4 | Oil seal | 1 |
| 33 | Standard | Coppiglia a "R" | R type pin | 1 |
| 34 | 92496 | Bullone testa quadrata | Bolt | 1 |
| 35 | RMGP65010603003 | Leva Acceleratore | Throttle rocker arm | 1 |
| 36 | Standard | Fascetta | Clip | 1 |
| 37 | RMGP70B01060000 | Meccanismo Acceleratore | Single phrase throttle assy. | 1 |
| 38 | RMGP65010606004 | Molla regolatore giri | Throttle control spring | 1 |
| 39 | RMGV510009000 | Rondella / Guarnizione ingranaggi | Clockwise gear gasket | 1 |
| 40 | RMGP65080300000 | Alzavalvole | Pin | 2 |
| 41 | RMG75470020000 | Albero a camme cpl. | Camshaft assy. | 1 |
| 42 | RMGP65020400000 | Guarnizione cilindro | Respirator head gasket | 1 |
| 43 | RMG60280030000 | Spina centraggio carter | Spacing pin | 2 |

92595**MOTORE / ENGINE****Mod. MVG-T6**

| Nr. | Codice | Descrizione | Description | Q.tà |
|------------|-----------------|--------------------------------|--------------------------------|-------------|
| 44 | 92478 | Ingranaggio Regolatore | Rate-limiting gear assy. | 1 |
| 45 | RMGP65010202000 | Sede Regolatore | Sliding Sleeve | 1 |
| 46 | RMG60200060000 | Guarnizione | Gasket | 1 |
| 47 | RMG75280020000 | Anello ingranaggio regolatore | Rate-limiting gear shaft clamp | 1 |
| 48 | RMGV410001000 | Albero Regolatore Giri | Rate-limiting gear shaft | 1 |
| 49 | RMG75240120000 | Coperchio Carter Motore | Crank box cover | 1 |
| 50 | RMGP65010210000 | Paraolio 25X38X7 | Oil seal | 1 |
| 51 | Standard | Bullone M6X30 | Bolt | 7 |
| 52 | 92498 | Guarnizione vite drenaggio | Oil drain bolt gasket | 1 |
| 53 | 92497 | Vite drenaggio olio | Oil drain bolt | 1 |
| 54 | RMG25200130050 | Tappo Rabbocco Olio Cpl. | Lubricating Gauge Assy | 1 |
| 55 | Standard | Bullone M6X50 | Bolt | 1 |
| 56 | RMG25120060000 | Coperchio filtro aria | Air Filter Cover | 1 |
| 57 | RMG25300120000 | Filtro aria | Foam filter | 1 |
| 58 | RMG25020050000 | Coperchietto filtro aria | Vent groove cover plate | 1 |
| 59 | RMG25110100000 | Sede Filtro aria | An air filter base. | 1 |
| 60 | RMG25030070000 | Tubo sfiato filtro aria | Waste pipe | 1 |
| 61 | RMGP65030500000 | Guarnizione carburatore/filtro | Air filter paper pad | 1 |
| 62 | RMG75410410000 | Carburatore | Carburetor | 1 |
| 63 | RMGP65051000001 | Primer | Prime button II | 1 |
| 64 | RMG75730030000 | Guarnizione carburatore II | Carburetor paper pad II | 1 |
| 65 | RMG25090010000 | Flangia termica | Air Inlet Pipe | 1 |
| 66 | RMG75730020000 | Guarnizione carburatore I | Carburetor paper pad I | 1 |
| 67 | RMG60080030000 | Prigioniero M6X94 | Dual-head bolts | 4 |
| 68 | RMG75130130000 | Segmento I | Piston Ring I | 1 |
| 69 | RMG75130140000 | Segmento II | Piston Ring II | 1 |
| 70 | RMG75090060000 | Raschiaolio | Guide Rail | 2 |
| 71 | RMG75000070000 | Anello / Fascia | Bushing Ring | 1 |
| 72 | RMG60310010000 | Spinotto | Piston pin | 1 |
| 73 | RMG60400020000 | Anello fermo spinotto | Piston Pin circlip | 2 |
| 74 | RMG75120090000 | Pistone | Piston | 1 |
| 75 | RMG75460070000 | Biella Completa | Connecting rod assy. | 1 |
| 76 | RMG75510750000 | Albero Motore Completo | Crankshaft assy. | 1 |
| 77 | RMG75500160000 | Carter Motore Completo | Crankshaft box assy. | 1 |
| 78 | RMGP65020400000 | Guarnizione Cilindro | Cylinder head gasket | 1 |
| 79 | RMG60280020000 | Spina centraggio carter | Spacing pin | 2 |
| 80 | RMG75190040000 | Valvola Scarico | Exhaust Valve | 1 |
| 81 | RMG75170040000 | Valvola Aspirazione | Intake Valve | 1 |
| 82 | RMG75490090000 | Testata completa | Cylinder head assy. | 1 |
| 83 | Standard | Bullone M8X45 | Locking bolt | 4 |
| 84 | 92517 | Sede molla valvola | Spring Coil of Exhaust Valve | 1 |
| 85 | RMG75350030000 | Asta alzavalvola | Push rod | 2 |
| 86 | RMG75290050000 | Alberino Bilanciere | Valve rocker shaft | 2 |

92595**MOTORE / ENGINE****Mod. MVG-T6**

| Nr. | Codice | Descrizione | Description | Q.tà |
|------------|-----------------|----------------------------------|----------------------------------|-------------|
| 87 | RMG75080040000 | Coperchio Valvole | Cylinder head cover | 1 |
| 88 | RMG75720300000 | Guarnizione Coperchio valvole | Cylinder head gasket | 1 |
| 89 | RMG75230031000 | Bilanciere valvola scarico | Exhaust valve rocker combinatio | 1 |
| 90 | RMG60240240000 | Rondella Bilanciere | Washer | 2 |
| 91 | RMG75230030000 | Bilanciere valvola aspirazione | ir intake door rocker combinatio | 1 |
| 92 | RMGP65081100000 | Pastiglia Valvola | Top Cover of Exhaust Valve | 1 |
| 93 | RMG75180010000 | Sede Molla valvola | Spring Coil of Intake Valve | 1 |
| 94 | RMGP70B08080000 | Molla Valvola | valve spring | 2 |
| 95 | RMGP65020600000 | Anello tenuta valvola | Oil seal assy | 1 |
| 96 | 75140010000 | Candela | Spark plug | 1 |
| 97 | Standard | Dado autobloccante M6 | Self-locking nut | 2 |
| 98 | 92523 | Protezione marmitta | Muffler cover assy. | 1 |
| 99 | RMG75540030000 | Marmitta completa | Muffler assy. | 1 |
| 100 | RMGP65060200000 | Guarnizione Marmitta | Muffler insulating pad | 1 |
| 101 | RMG75030110000 | Paravento | Wind shield | 1 |
| 102 | RMGV510010000 | Valvola di sfiato | Respirator valve plate | 1 |
| 103 | RMG75720310000 | Guarnizione valvola sfiato | Respirator head gasket | 1 |
| 104 | RMG75400030000 | Coperchio valvola sfiato | Valve rocker shaft | 1 |
| 105 | RMG75370070000 | Bobina completa | Ignition assy. | 1 |
| 106 | Standard | Bullone M6X25 | Bolt | 2 |
| 107 | 92524 | Pannello protezione acceleratore | Single speed control panel | 1 |
| 108 | Standard | Bullone M6X10 | Bolt | 2 |
| 109 | RMG25190210086 | Plastica Copri-motore II | The transparent cover | 1 |