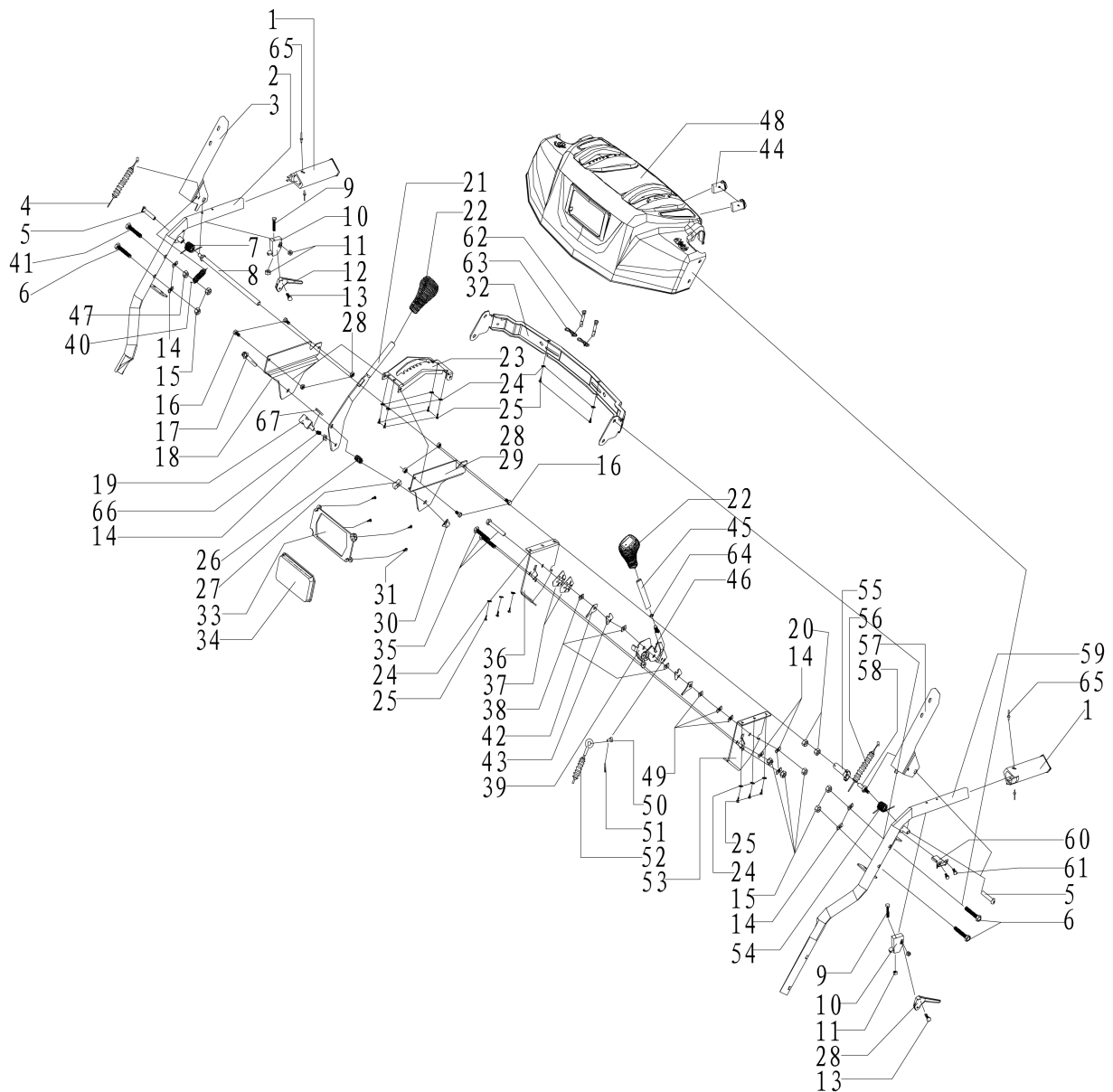


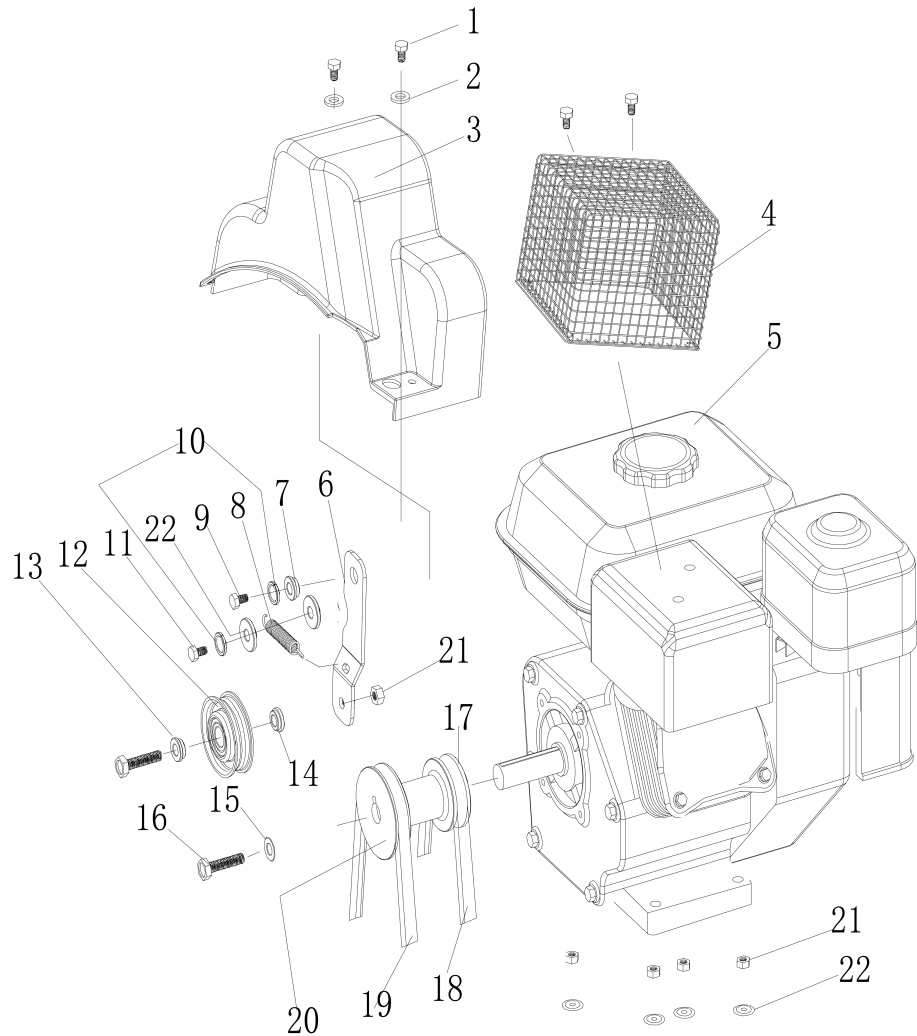
79590 Gruppo comandi - Handle and control assembly



No.	Part No.	Descrizione	Material	Mark	Qty
1	TG6556NA			SSG5580	2
2	NF-002B hj				1
3	SX-11-031-1A				1
4	SJ-231			620	1
5	SX-11-258			11HP	2
6	HFB-8*40		M8X40		4
7	NF-001-14-1		65Mn		1
8	NF-001-12		A3		1
9	HS-5*35		M5X35		2
10	SX-11-029		PP	11HP	2
11	NHLN-5		M5		4
12	SX-11-028		PP	11HP	2
13	SX-11-027			11HP	2
14	FB-8*16*1.2		φ8×16×1.2		7
15	NHLN-8		M8		4
16	HS-6*12		M6X12		4
17	HS-10*45		M10X45		1

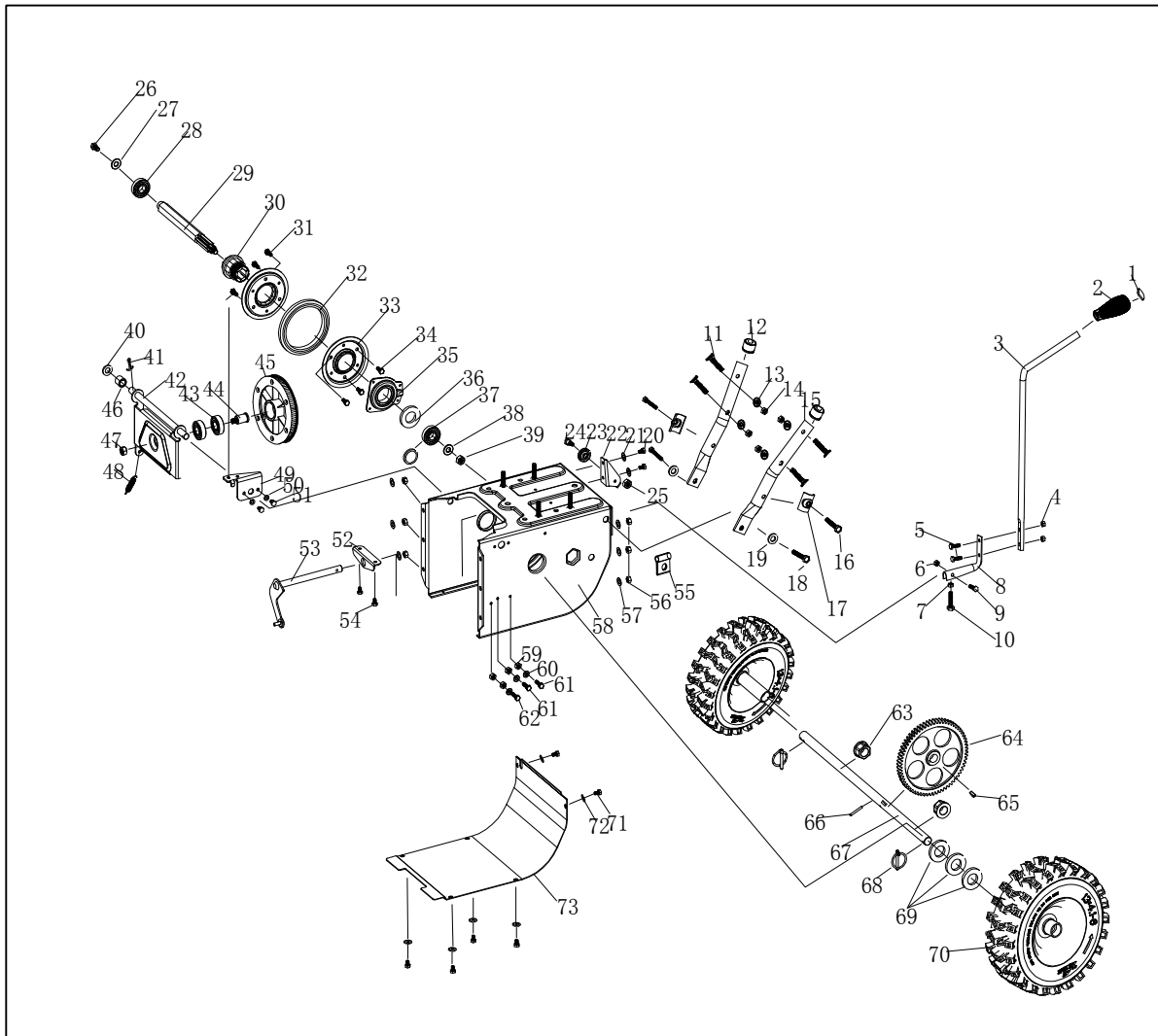
18	NF-001-4-02		A3		1
19	GPP6562C-01-07		A3	GPP6562C-01	1
20	HN-8		M8		2
21	NF-001-8		Q235		1
22	STG8062Ae-26		PVC		2
23	NF-001-15		A3		1
24	FB-5*12*1		φ5×12×1		12
25	SHSS-4.8*16		M4.8X16		12
26	STG11 (13) 70 (10) AE-02-08			STG1170AE-02	1
27	FB-10*28*3		φ10*φ28*3		1
28	NHLN-6		M6		4
29	NF-001-4-01		A3		1
30	NHLN-10		M10		1
31	CHSS-3.2*30		3.2X20		4
32	NF-001-5-02		A3	11HP	1
33	STG8062AE-22		PP	STG8062AE-01	1
34	L-620				1
35	HS-8*45		M8X45		3
36	NF-001-7-01		A3		1
37	SJ-223		65Mn		2
38	SA-008			GB/T860 8	3
39	SJ-210-1		45		1
40	NF-001-14-3		65Mn		1
41	HS-8*50		M8*50		1
42	SJ-224				2
43	SJ-215				2
44	SA-011			11HP	2
45	NF-001-13		A3		1
46	SJ-209				1
47	HFN-8		M8		1
48	NF-010		PP		1
49	FB-8*22*2		φ8×22×2		3
50	SJ-233		A3		1
51	CP-3.2*25		3.2X25 GB/T91-2000		1
52	SX-11-36E			STG1170	1
53	NF-001-7		A3		1
54	NF-001-14-1		65Mn		1
55	NF-001-01				1
56	SX-11-036B			1101Q	1
57	NF-SX-11-31-1				1
58	NF-001-11		A3		1
59	NF-002A hj				1
60	NF-001-6		65Mn		1
61	HFB-5*10		M5X10		2
62	NJ-01				2
63	NJ-02				2
64	SW-8		φ8		2
65	BE-4*12		φ4*12		4
66	GPP6562C-01-09		65Mn		1
67	OSP-2.5*25		2.5*25		1

79590 Motore - Engine assembly



No.	Code No.	Descrizione	English name	Material	Qty
1	HS-6*12		Outer hexagon nipples		2
2	FB-6*16*1.5		Plain cushion		2
3	SJ-031		SJ Pulley Steel Cover	pp	1
4	SJ-130		Protect Heat shield	A3	1
5	ZS168FBE		Engine		1
6	SJ-045		SJ Tensioning board	A3	1
7	SJ-046-1		Tension Convex Washer	A3	1
8	SJ-035-1		SJ spring 3	65Mn	1
9	HS-8*20		Outer hexagon nipples		1
10	SW-8		Spring		2
11	HS-8*16		Outer hexagon nipples		1
12	SX-11-170		Small Tension Pulley Comp(+Bearing)	-	1
13	SJ-008C		Gasket	A3	1
14	SX-11-170B		Tension Convex Washer	A3	1
15	FB-8*28*3		Plain cushion		1
16	HFB-8*25		Outer hexagon flange nipples		1
17	SJ-049		Man Synchronization Wheel+sheet		1
18	TB-5M*750		V-belt		1
19	LBV13-890		Synchro-Belt		1
20	SJ-049B		SJ main pulley	HT200	1
21	NHLN-8		Nonmetal outer hexagon locknut		5
22	FB-8*16*1.2		Plain cushion		6

79590 Gruppo trazione - Drivings assembly

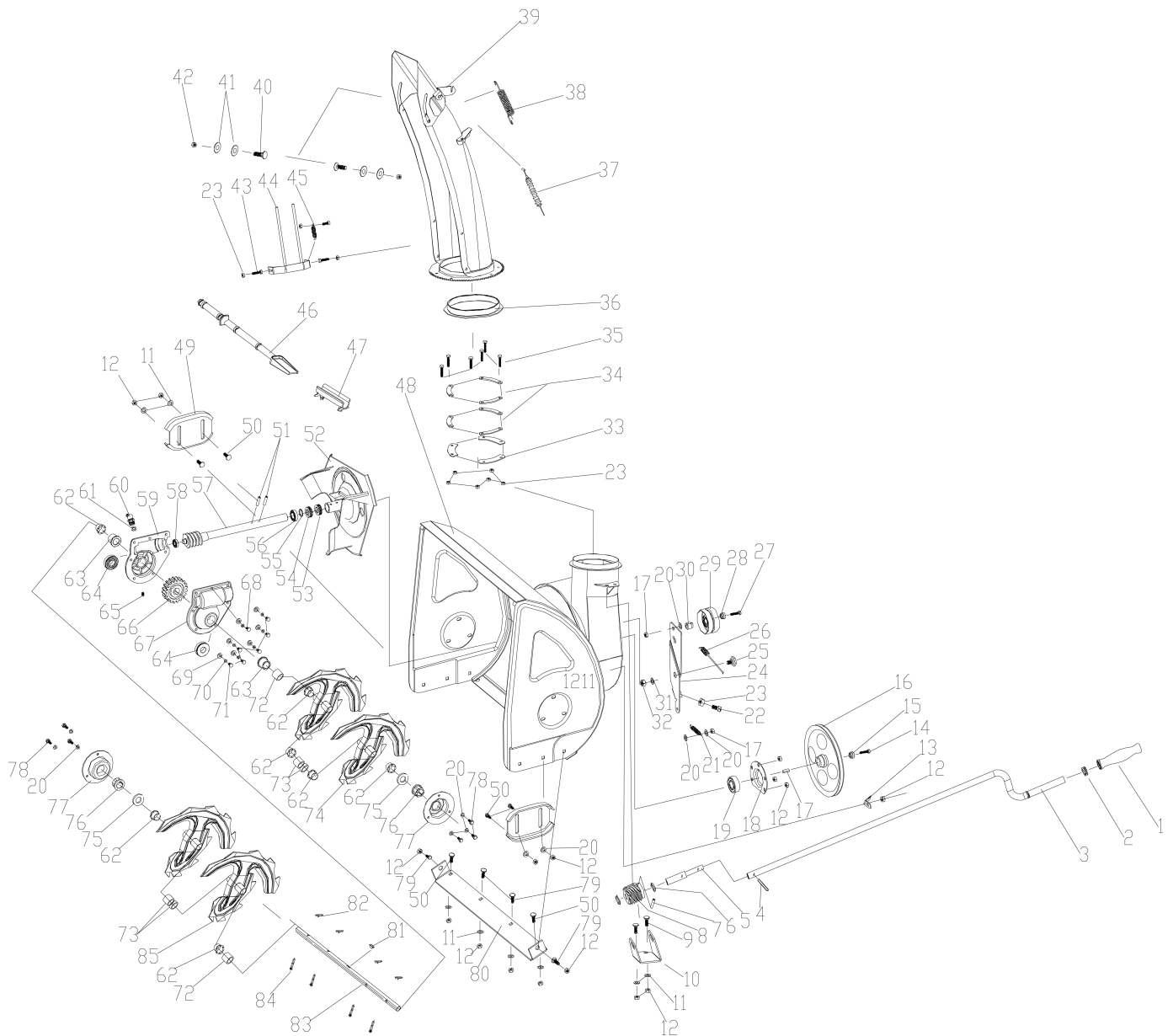


No.	Code No.	Descrizione	English name	Material	Qty	Remark
1	STG8062Ae-24		Handle cover	PVC	1	
2	STG8062Ae-26		Engagea gear handle	PVC	1	
3	STG8062Ae-09		Control lever	A3	1	
4	NHLN-6		Nonmetal outer hexagon locknut		2	M6
5	HES-6*20		Outer hexagon nipples		2	M6X20
6	NHLN-6		Nonmetal outer hexagon locknut		1	M6
7	HFN-6		Flange nut		1	M6
8	SJ-068B		SJ Steel Grip Lever	65Mn	1	
9	HS-6*25		Outer hexagon nipples		1	M6X25
10	HS-6*25		Outer hexagon nipples		1	M6X25
11	NS-L8*40		Bolt	4	M8X40	M8X40
12	FMSG-25		Cover 25		2	
13	SA-131		Flange washer		4	M8
14	NHLN-8		Nonmetal outer hexagon locknut		4	M8
15	SJ-042-2A-2		Handle apart 2	A3	2	
16	HRS-8*40		HEXAGON bolt		2	M8X40
17	SJ-028		SJ Handle cushion	A3	2	
18	HS-8*20		Outer hexagon nipples		2	M8X20
19	FB-8*22*2		Plain cushion		2	φ8*φ22*2
20	HS-6*12		Outer hexagon nipples		2	M6X12
21	FB-6*12*0.7		Plain cushion		2	φ6*φ12*0.7

22	SJ-016A		Sj Pulley Sub Panel 1	A3	1	
23	SJ-016B		Sj Wire Pulley		2	
24	SJ-052		SJ Hexagonal Screw	A3	2	
25	HFN-6		Frange Nut		1	M6
26	HS-8*16		Outer hexagon nipples		1	M8×16
27	FB-8*28*2		Plain cushion		3	φ8*φ28*2
28	KBE-6203		Deep groove ball bearing with spring		1	6203
29	SJ-005		SJ Hexagon Gear Shaft	40Cr	1	
30	SJ-013C		SJ change pulley		1	
31	HS-6*12		Outer hexagon nipples		3	M6X12
32	SJ-013D		SJ change pulley rubber ring		1	
33	SJ-013A		SJ Change Pulley Washer	A3	2	
34	HS-6*12		Outer hexagon nipples		3	M6X12
35	SJ-013B		SJ Change Pulley	A3	1	
36	SR-35		Snap spring		1	φ35
37	KBE-6203		Deep groove ball bearing with spring		1	6203
38	FB-10*28*2		Plain cushion		1	φ10.5*φ28*2
39	NHLN-10		Nonmetal outer hexagon locknut		1	M10
40	FB-13*24*2		Plain cushion		1	φ13*φ24*2
41	CP-2.5*35		Split pin	45	1	35×φ2.5
42	SJ-007		SJ Pulley Bracket	A3	1	
43	KBE-6203		Deep groove ball bearing with spring		2	6203
44	SJ-010B		SJ Driving Wheel Shaft	45#	1	
45	SJ-010A		SJ Driving Sync Wheel		1	
46	SJ-107		SJ Separate Sleeve		1	
47	NHLN-10		Nonmetal outer hexagon locknut		1	M10
48	SJ-069		Spring 6	65Mn	1	
49	STG9056Ae-01-02		SJ Pulley fixing abroad	A3	1	
50	FB-6*12*0.7		plain cushion		2	φ6*φ12*0.7
51	HS-6*12		Outer hexagon nipples		2	M6X12
52	SJ-002		SJ Orthogonal Iron	A3	1	
53	SJ-040		SJ Gearlever	A3	1	
54	HS-6*12		Outer hexagon nipples		2	M6X12
55	FD-04-62		Wire fixing lock	A3	1	WB401
56	NHLN-8		Nonmetal outer hexagon locknut		6	M8
57	FB-8*16*1.2		Plain cushion		7	φ8*φ16*1.2
58	SJ-102		SJ Drive box shield	Q235	1	
59	HFN-6		Frange Nut		4	M6
60	FB-6*12*0.7		Cushion		3	φ6*12*0.7
61	HS-6*30		Outer hexagon nipples		2	M6X30
62	HS-6*20		Outer hexagon nipples		1	M6X20
63	SJ-026		SJ Cover Shaft Sheath		2	

64	SJ-003		SJ Big Gear	QT600-3	1	
65	WK-5*7.5*19		woodruff key	45	2	5×7.5×19
66	OSP-4*30		Split spring pin		1	φ4 *30
67	SJ-017		SJ Drive Wheel Shaft	45#	1	551Q
68	SJ-066		SJ Spring Pin	65Mn	2	
69	FB-19*38*1.5		Plain cushion		3	φ19.5*φ38*1.5
70	TC-13		Tyre	13*4.1-6	2	14*5-6
71	HS-6*12		Outer hexagon nipples		2	M6X10
72	FB-6*12*0.7		Plain cushion		6	φ6.5*φ12*0.7
73	SJ-102		SJ Dirve Steel Cover	A3	1	

79590 Gruppo turbina - Auger Housing assembly



No.	Code No.	Descrizione	English name	Material	Qty
1	SJ-242		Crank Handle	PE	1
2	SJ-240		Handle Cover	PVC	1
3	SJ-227		Chute Rocker	A3	1
4	SJ-312		Bolt		1
5	SJ-227-2		Chute Helical Rocker	A3	1
6	SJ-238		Bracket Washing	66	2
7	OSP-4*42		Spring pin		1
8	SJ-208		Spiral Gear	45	1
9	CB-8*20		Screw		4

10	SJ-225		Bracket	A3	1
11	FB-8*22*2		plain cushion		2
12	NHLN-8		Nonmetal outer hexagon locknut		2
13	SJ-300		Belt board	A3	1
14	HS-8*20		Outer hexagon nipples		1
15	FB-8*28*2		Plain cushion		1
16	SJ-039-2		SJ Pulley	HT250	1
17	FK-C6*17		C Key	45#	1
18	SJ-004		SJ Rockered Cover	A3	1
19	BE-UC204		Bearing		1
20	FB-8*16*1.2		Plain cushion		3
21	SJ-037		Spring 5	65Mn	1
22	SJ-023-2		Tensioning screw	Q235	1
23	NHLN-6		Nonmetal outer hexagon locknut		7
24	SJ-023-1		SJ Dead Plate 1	A3	A3
25	SJ-050		SJ hexagon nipples	35#	1
26	SJ-230		Auger wire		1
27	HS-8*45		Outer hexagonal screw		1
28	SJ-008C		SJ gasket	A3	1
29	SJ-008		SJ Tension Pulley 2 +Bearing	-	1
30	SJ-008B		SJ Cushion	A3	1
31	FB-10*20*2		Plain cushion		1
32	NHLN-10		Nonmetal outer hexagon locknut		1
33	SJ-021		Chute Sheeting	A3	3
34	SJ-021C		Chute washing	A3	6
35	HS-6*16		Outer hexagonal screw		6
36	SJ-237		Plastic Ring	66	1
37	SJ-232		Chute Wire		1
38	SJ-226		Chute Extension Spring	65Mn	1
39	SJ-200A/B		Chute assy	Q235	1
40	SHS-5*12		Cross Recess Head Screw		2
41	SJ-200-8		Chute Nylon cushion	66	4
42	NHLN-5		Nonmetal outer hexagon locknut		2
43	HS-6*16		Outer hexagon nipples		2
44	SJ-012		SJ Discharge Chute Accessories	-	1
45	SJ-036		Spring 4	65Mn	1
46	SJ-150		Plastic shovel	PP	1
47	SJ-151		Shovel base	PP	1
48	SJ-104		SJ Housing	A3	1
49	SJ-111		SJ Sliding Stick	A3	2
50	CB-8*18		Screw		6
51	FRP-6*30		Spring pin	65Mn	2

52	SJ-001		SJ Fan	-	1
53	OS-32*20*6		Seal		1
54	BE-51104		One way thrust bearing		1
55	SJ-057		Distance piece	A3	1
56	BE-6904		Deep groove ball bearing		1
57	SJ-030		SJ Drive shaft	40Cr	1
58	BE-16001		Deep groove ball bearing		1
59	SJ-101A		SJ Pedestal	ZL102	1
60	RM-5HP		Oil nipple		1
61	- WG 10		Cushion		1
62	SJ-019		SJ Drive Shaft Sheath		8
63	SJ-108-1		SJ Shaft Bushing		2
64	OS-30*19*7		Seal		2
65	SHS-5*12		Cross Recess Head Screw		1
66	SJ-038		SJ worm wheel	ZCuA110Fe3	1
67	SJ-101		SJ Upper Pedestal	ZL102	1
68	SHS-6*25		Hexagon nipples		1
69	FB-6*12*0.7		Plain cushion		7
70	SW-6		Spring cushion		7
71	HS-6*20		Outer hexagon nipples		6
72	22-SX-11-301		Shaft bushing 22-2	PP	2
73	22-SX-11-300		Shaft bushing 22-1	PP	2
74	30-SX-11-125		Right auger	A3	3
75	FB-19*38*1.5		Plain cushion		2
76	SJ-020		SJ Shaft Bushing		2
77	SJ-024		SJ Bearing Cover		2
78	HS-8*10		Outer hexagon nipples		6
79	CB-8*18		Screw		4
80	SJ-006-2		SJ Shave Plate	A3	1
81	WK-5*7.5*19		Woodruff key		1
82	NJ-02		Trigger pin		4
83	22-SX-11-134		Output shaft	45#	1
84	NJ-01		Output shaft bolt		4
85	30-SX-11-135		Left auger	A3	3